

# SUMMIT 6135AM

## BASE-TYPE 2-POST LIFT



-Features:

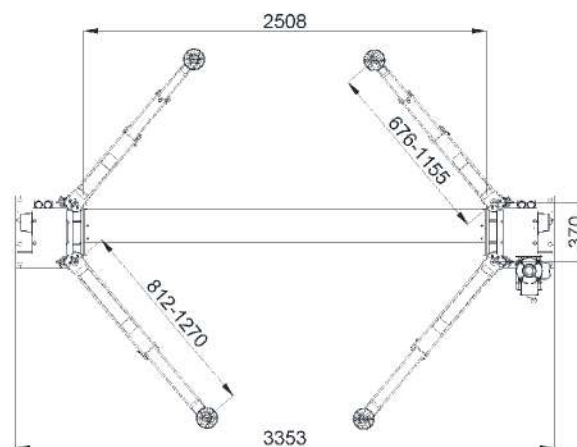
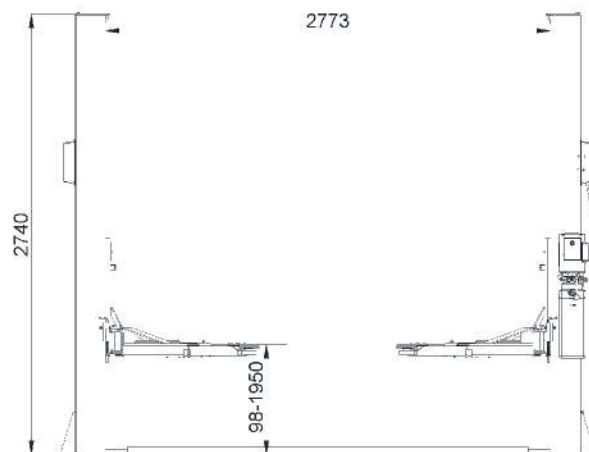
Electro-hydraulic base-type 2 post lift suitable for lifting motor vehicles with a weight of 4 Ton.

All mechanical parts such as columns, carriages and lift arms have been built with steel plates to make the frame stiff and strong while keeping a low weight. Manual safety lock release ensure ultra-reliability.

## Technical Specifications

Lifting capacity	4000 Kg
Max. stroke	940 mm
Max. lifting height excl. extensions	1950 mm
Min. adaptor height	98 mm
Overall height	2740 mm
Overall width	3353 mm
Lifting time	55 seconds
Power supply	220 volt (1ph)
Shipping weight	655 Kg

Dimensions:



Supplied and serviced by:

**GTS GARAGE EQUIPMENT**

Tel: 011 908 4169

email: [info@gtsequipment.co.za](mailto:info@gtsequipment.co.za)

