

SUMMIT 8240BX

WHEEL ALIGNMENT SCISSOR LIFT
INCLUDING AUXILIARY JACK





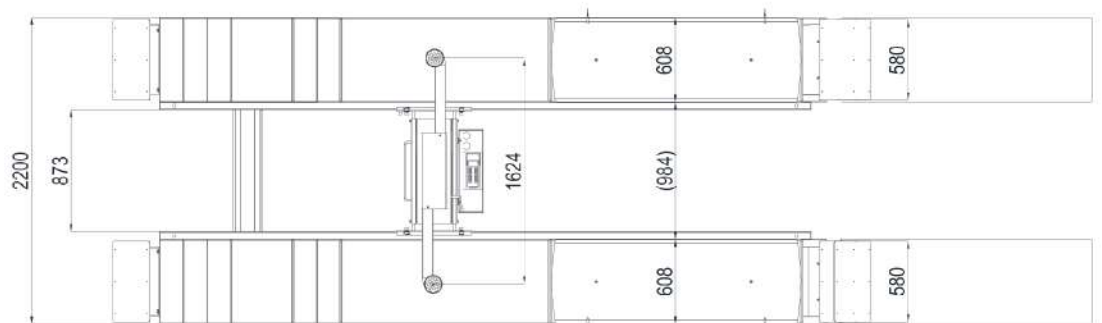
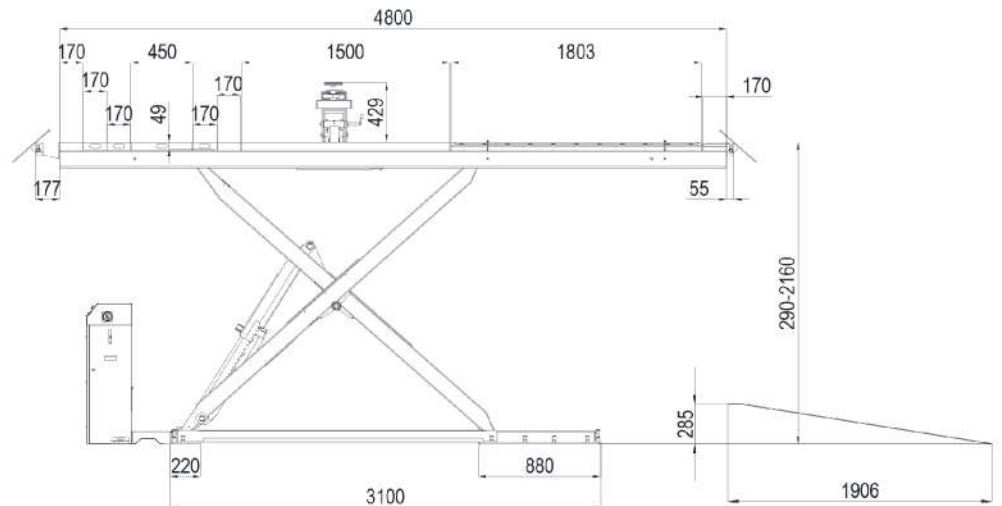
Air-Hydraulic
Auxiliary jack

- Features:
- Homologated and certified according to European directive EN4193-2010
- Air-Hydraulic auxiliary jack included
- Suitable for above-ground as well as in-ground installation
- Long enough for light commercial vehicles
- Mechanical safety locks, Air-operated engagement and release
- Manual emergency lowering

Technical Specifications

Lifting capacity	4000 Kg
Auxiliary jack capacity	2500kg
Max. lifting height	2160 mm
Min lowering height	290 mm
Auxiliary jack raised height	429 mm
Runway length	4800 mm
Lifting time	60 seconds
Power supply	220 volt (1ph)
Shipping weight	2370 Kg

Dimensions:



Supplied and serviced by:

GTS GARAGE EQUIPMENT

Tel: 011 908 4169

email: info@gtsequipment.co.za

