

CAR WHEEL BALANCER

SUMMIT 401E

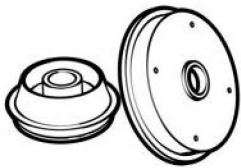




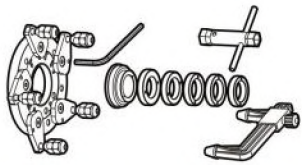
LED Display



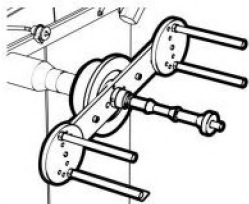
Standard accessories



Optional light truck cone kit

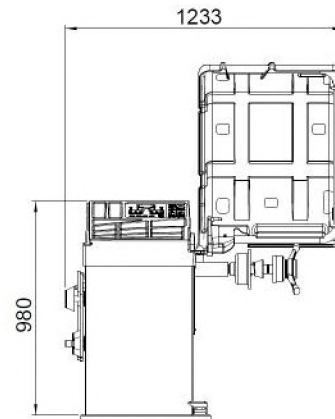
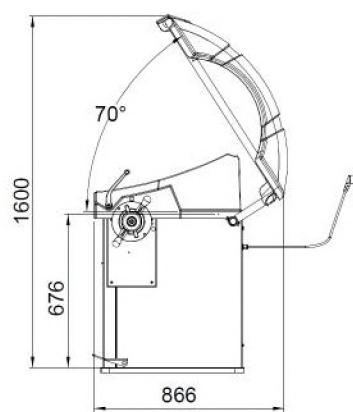


Optional Universal Adaptor



M/C Adaptor with spoke support

- Automatic brake after spin
- Wheel guard supplied as standard
- Manual entry of wheel data
- Automatic start when wheel guard is lowered
- Emergency stop by raising wheel guard
- Static and dynamic balancing modes
- Four standard ALU balancing modes
- Motorcycle balancing mode
- Rapid optimization (OPT)
- Self-diagnosis and self-calibration
- Unit display in gram/ounce or mm/inch
- Pedal brake for application of weight



Technical Specifications

Rim diameter	10 - 26" (255 - 660mm)
Wheel diameter	39" (1000mm)
Wheel width	3 - 20" (76 - 510mm)
Max. wheel weight	70kg
Resolution	1.4 degree
Balancing precision	+/- 1 gram
Balancing Speed	150rpm
Power supply	220 volt (1ph)
Packing dimensions	490 x 750 x 1140mm
Gross weight	150kg

Supplied and serviced by:



GTS GARAGE EQUIPMENT

Tel: 011 908 4169

email: info@gtsequipment.co.za