

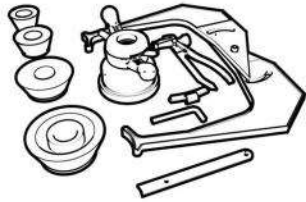
# CAR WHEEL BALANCER

# SUMMIT 1200F

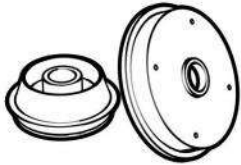




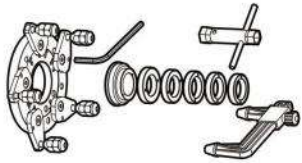
LED Display



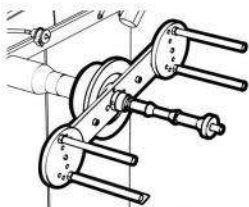
Standard accessories



Optional light truck cone kit



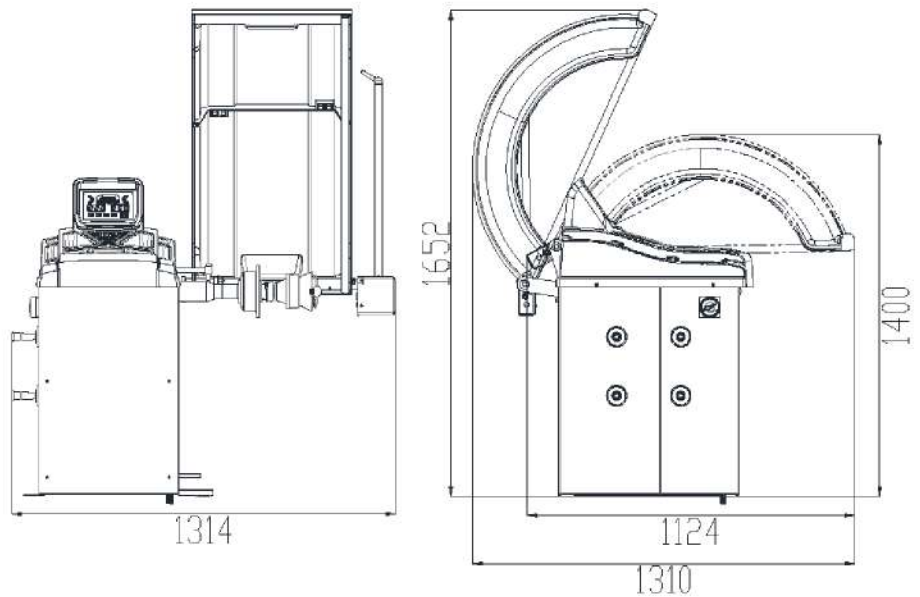
Optional Universal Adaptor



M/C Adaptor with spoke support

## Features:

- Automatic brake after spin
- Wheel guard supplied as standard
- Automatic entry of wheel data
- Automatic start when wheel guard is lowered
- Static and dynamic balancing modes
- Four standard ALU balancing modes
- Rapid optimization
- Split function to hide weights behind spokes of rim
- Self-diagnosis and self calibration
- Unit display in gram/ounce or mm/inch



## Technical Specifications

|                     |                        |
|---------------------|------------------------|
| Rim diameter        | 10 - 26" (255 - 660mm) |
| Wheel diameter      | 39" (1000mm)           |
| Wheel width         | 3 - 20" (76 - 510mm)   |
| Max. wheel weight   | 75kg                   |
| Resolution          | 1.4 degree             |
| Balancing precision | +/- 1 gram             |
| Balancing Speed     | 150rpm                 |
| Power supply        | 220 volt (1ph)         |
| Packing dimensions  | 490 x 750 x 1140mm     |
| Gross weight        | 157kg                  |

Supplied and serviced by:

**GTS GARAGE EQUIPMENT**

Tel: 011 908 4169

email: [info@gtsequipment.co.za](mailto:info@gtsequipment.co.za)

