

V2300 Wheel Aligner
GOLD SOFTWARE

New Product Release No. 2014-08

V2300

The **V2300** wheel aligner provides:

- highly accurate and repeatable measurements
- small single-plane XD targets
- advanced productivity features
- movable beam installation
- alternatively, no supports version
- tilt, and fixed beam options



VALUE PROPOSITION

Professional Results & High Productivity

- Improved camera and target technology for a faster and more responsive alignment system.
- XD target system provides a new small-pattern, single-plane design. The smallest and lightest we have ever offered.
- The smaller targets take up less space around the vehicles wheels making access to critical alignment adjustment points easier.
- The reduced clamp/target weight eases the load technicians need to carry, offering an ergonomic solution over previous designs.

XD Targets - Smaller, Lighter, Taking Less Space

- Improved high-resolution cameras allow use of the new small-pattern, single-plane targets.
- Measuring only 152 mm x 203 mm (6" x 8") in the front and in the rear, these targets are the smallest we have ever offered.



AC400 Quick Wheel Clamps

- No contact with the rim
- Securely attaches to the tyre without touching the rim
- Clutch limited clamping force ensures secure attachment
- Ergonomic handle
- Attaches to tyre diameters from 19" to 39" without accessories.



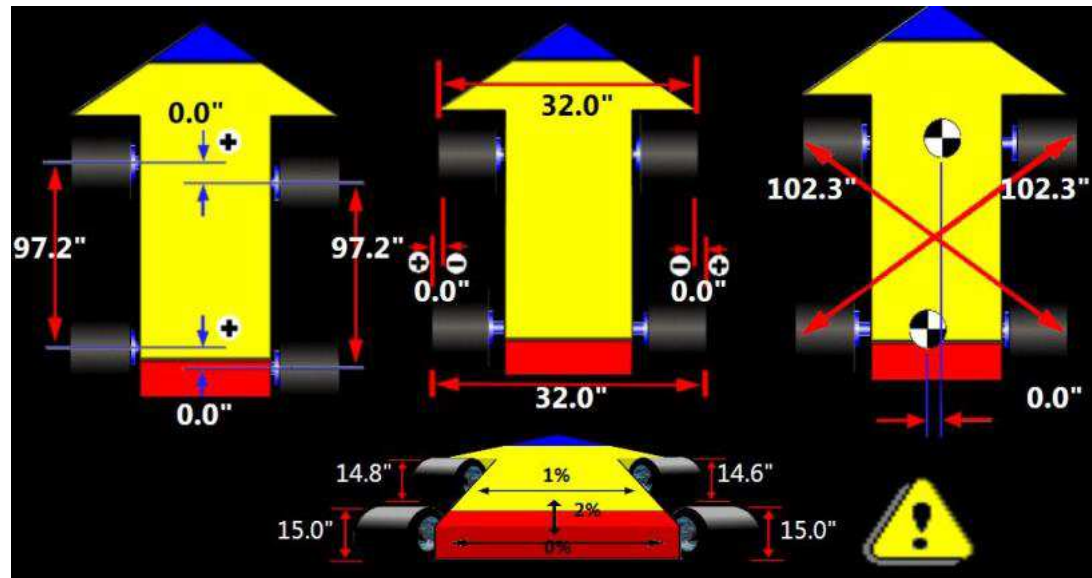
Lightweight and Durable

- Constructed from cast magnesium
- High durability - drop tested
- 3.13 kg (6.9 lbs) front and rear



Self-Centring Design

- Continues to deliver patented measurements the competitors can not
- Cross diagonal – indicates collision damage
- Rolling radius – indicates mismatch of tyre sizes



Universal Wheel Clamps

- Universal wheel clamps are an alternative to AC400 wheel clamps
- Cast aluminium construction
- Fits rims between 11" – 22" – no limitation on tyre diameters
- 4.9 to 5.2 kg per clamp
- 4" extensions are available as an optional accessory



Pro42 Software

- Pro42 is a high-resolution **ICON** based software program designed to provide the most effective use of information required by the technician
- Pro42 has **ALL** the required functions in a one-touch program format to allow the technician to provide accurate and speedy alignments
- Pro42 provides unique **DIAGNOSTIC** information to allow the technician to easily understand the vehicle problems

TARGET CUSTOMERS

- Volume alignment shops
- Independent garages focused on alignment
- National accounts, fast fitters
- Franchises

- Shops that want a professional quality aligner and:
 - Want to limit exposure to wheel damage
 - Need to ease fatigue on technicians
 - Want to increase productivity
 - Want a traditional alignment system designed to maximise throughput

TECHNICAL SPECIFICATIONS V2300

Camera system	2 cameras, 5.1 Mega Pixel
Software	Pro42 7.5.3 Gold
Track width	121.9 cm – 243.8 cm (48" – 96")
Wheelbase	200.7 cm – 457.2 cm (79" – 180")
Shipping weight	227 kg (501 lbs)
Power requirements	230 Volts AC, 50Hz, 15 Amps
Agency approvals	UL201, C22.2, CE

AC400 wheel clamp with XD targets

Wheel size (outer diameter of the tyre)	19" – 39"
Weight	3.13 kg (6.9 lbs) per clamp
Clamping force	164.6 N (37 lbs)
Construction	Cast magnesium

Installation Baseline

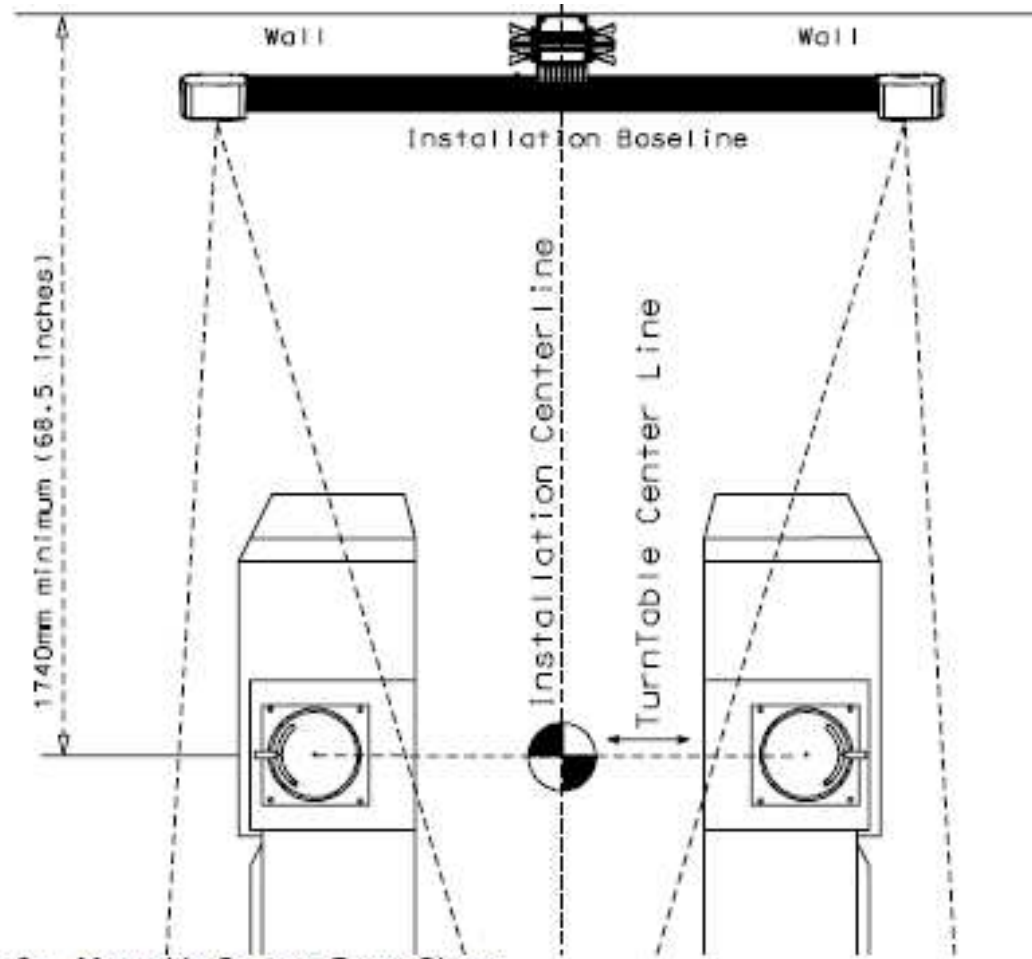


Figure 6a - Moveable Camera Beam Shown

Installation Baseline

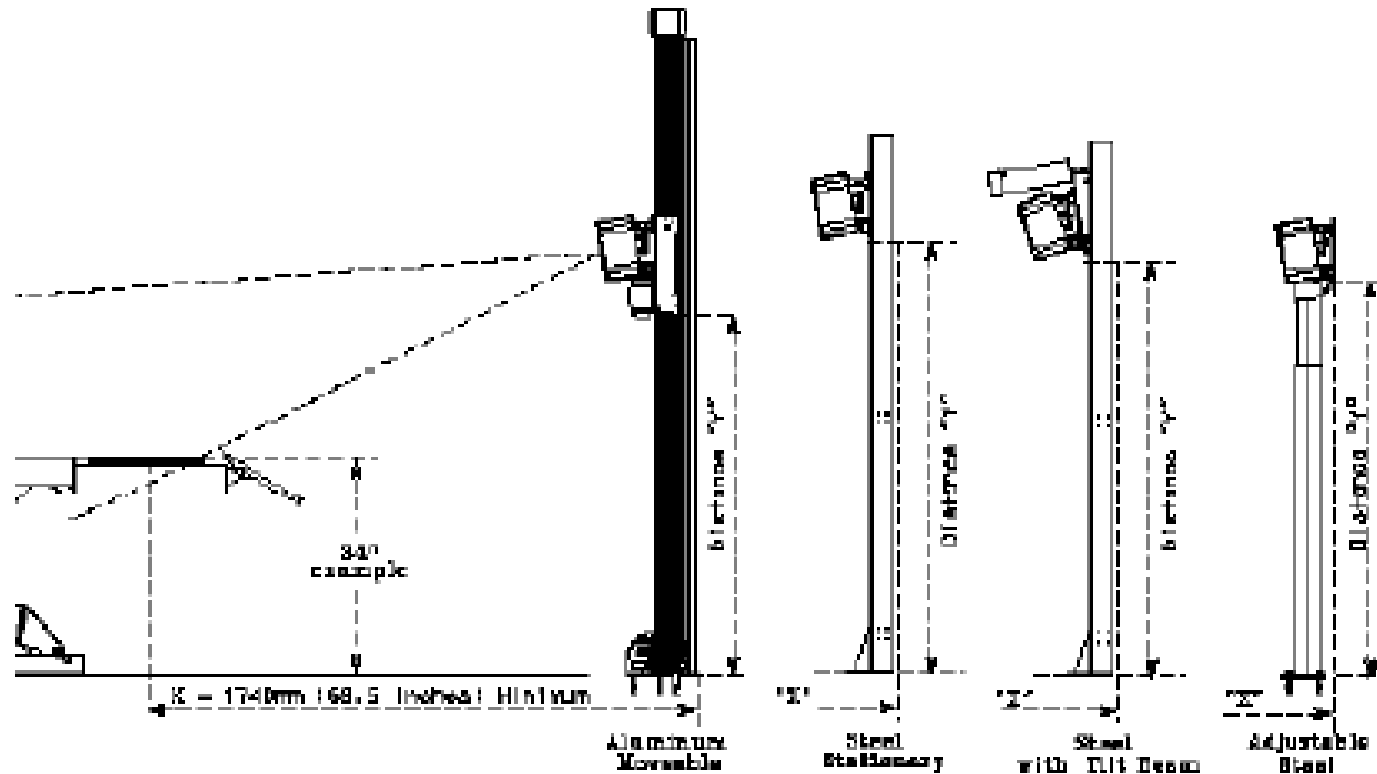


Figure 6b - Various types of available camera supports

STANDARD EQUIPMENT & ACCESSORIES

Standard Equipment V2300 wheel aligner

- Pro42 7.5.3 Gold software
- Universal wheel clamps (AC100) with XD targets, or alternatively
- AC400 wheel clamps with XD targets
- Standard cabinet
- 22" flat-screen monitor



Included Accessories

- Steering Wheel Holder ref. no. 28127 / 00055502000



- Brake Pedal Depressor ref. no. 28115 / 0000009600



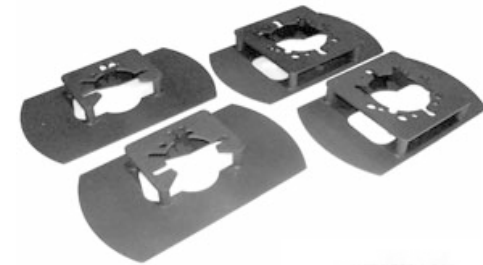
- Remote Control ref. no. EAK0289J23A

Optional Accessories

- AC400 Truck Wheel “Dually” Adaptor ref. no. EAK0305J50A



- Hub Adaptor Kit – AC400 ref. no. EAK0222J83B



- Drive-on Camera Aid ref. no. EAK0289J91A



- Universal Wheel Clamp Upgrade Kit

Accessories for Service Centres

- Field Calibration Kit for RCP
(ref. no. 29522 / 89612)



- ISO Calibration Frame
(ref. no. 4029727 / EAK0277J00A)



- Calibration Bar
(ref. No. 4027185 / EAK0222J02A)



- Adaptor for Calibration Bar
(ref. no. 34443 / EAK0289J42A)



- Adaptor Kit for AC400 Calibration
(ref. no. EAK0305J09B)

	JBV3DLITE-P2	JBV3D1	JB0V2300	JB-V3400
FEATURES	Post	Classic	Gold	Platinum
Dell Computer	■	■	■	■
Zoom Readings	■	■	■	■
Advanced Alignment Measurements	■	■	■	■
3D Animation	■	■	■	■
Live Caster, Camber & Toe Readings	■	■	■	■
Elevated Adjustments	■	■	■	■
A-Arm Adjustments	■	■	■	■
Rear Shim Programs	■	■	■	■
EZ-Toe	■	■	■	■
Customer Database with Backup / Restore	■	■	■	■
Over 25 years of Vehicle Specs	■	■	■	■
Integrated Help Systems	■	■	■	■
Tools, Parts and Adjustment Instructions	■	■	■	■
Aligner System Diagnostics	■	■	■	■
4-Wheel Steer Adjust	■	■	■	■
Manual Ride Height Measurement	■	■	■	■
Ride Height Measurement using TIP		■	■	■
Cradle Adjust		■	■	■
Alignment Diagnostics		■	■	■
Driver Complaint Diagnostics		■	■	■
Vehicle Dimensioning		■	■	■

	JBV3DLITE-P2	JBV3D1	JB0V2300	JB-V3400
FEATURES	Post	Classic	Gold	Platinum
Programmable Alignment Wizards		■	■	■
Live Modeling		■	■	■
Roll Forward & Split-Positioning Sequence		■	■	■
OEM Wizards			■	■
EZ-Access (Wheels-Off Alignment)			■	■
Scrub Radius				■
Caster Trail				■
ProAckermann™ Measurements				■
RollingRadius™ Measurements			■	■
Cross-Diagonal Measurements			■	■
Steering Assymetry with Diagnostics				■
Shop Management Interface			■	■
Ultra High Resolution Cameras			■	■
Ultra High Resolution Targets			■	■
Drive on Camera Aid			■	■
Pro42 Software			■	■
EZ-Link™			■	■
AC400 Wheel Clamps			■	■
VoiceAlign™				■
FrameCheck™				■
Self Tracking Cameras				■
Drive Through Operation				■
Self Calibrating				■